

WALLBEDS



Australia

Reclaim Your Space



Safety Advice Sheet PLEASE READ BEFORE YOU BEGIN:

Read and understand instructions before beginning to reduce the risk of severe or fatal injury. The instructions do not intend to address every possible contingency encountered during assembly or installation.

- ❖ WallBeds Australia recommends two people to safely assemble and install all cabinetry.
- ❖ All additional cabinetry must be securely fasten to the Wall Bed cabinet or suitable wall studs. Failure to do so may cause damage to the cabinet or serious personal injury.
- ❖ Assembly and cabinetry installation can be daunting it is recommended to use a qualified trades person if you are not comfortable with the assembly and installation of these products.
- ❖ Due to the size and weight of the cabinetry, DO NOT install cabinets by yourself. It is recommended that there are two people when assembling and installing the cabinetry.

Safety and Liability Disclaimer- WallBeds Australia is not responsible for self-installation or third-party installation. The individuals conducting the assembly and installation are solely responsible for all safety measures, responsibilities, and liabilities. WallBeds Australia hereby disclaims all warranties and all liability for any claims for severe or fatal injury related to or based upon the use of these instructions.



Alpha Bed Cabinetry Flat Pack Assembly Instructions

Introducing the Alpha Bed frame a versatile wall bed frame that can be mounted both vertically and horizontally.

This lightweight, structural steel frame boasts double overlap steel stiffeners and a fold-away leg system, making it incredibly sturdy and durable. With a strength that surpasses that of wood or aluminium, the Alpha frame is suitable for both residential and commercial use

Designed to Exceed International ISO 9002
Standards for residential specifications

SAFETY WARNING

WallBeds are designed to be operated by adults. Use by children may result in injuries to the child or damage to the wall bed if they are unable to control the opening or closing of the mechanism adequately. Warranties do not cover injuries or damage under these circumstances.

While wall beds meet Australian Standards, adult use and supervision of the wall bed is required at all times.

WallBeds Australia Alpha Bed Flat Pack **Supplementary Hardware Bag**

IMPORTANT - The Alpha Bed Steel Frame and SBLM Mechanism is designed to be universal worldwide.

As a result, some of the hardware items that come within these cartons is not compatible with the Flat Pack offered by WallBeds Australia.

Items not compatible.

- Alpha Steel Frame Carton - **Hardware Card #7 - M4 15mm Wood Screws**
- SBLM Mechanism Carton - **Hardware Card #2 - 6** of the 10 Cone Allen bolts. If these items are used it will impede the setting of the Spring Arm.

The replacement hardware items required are included in the WallBeds Australia Supplementary Hardware Bag that comes with your flat pack order.

These hardware items need to be changed due to incompatibility with our cabinetry. The assembly instructions provide information on when to use the replacement hardware.

Steps to Complete Project

- Carefully unpack all cabinetry from the transportation crate.
- **Review the spring application chart on page 9** to determine the appropriate springs for your mattress weight. Be aware that the Spring Lift Mechanisms (SBLM) comes with four preloaded springs per spring arm, which may not be suitable for the weight of your mattress, wall bed size or orientation.
- Assemble the Bed Cabinet.
- Attach the Spring Lift Mechanism to 2 x end panels.
- Attach Bed Cabinet to the wall.
- Assemble Steel Bed Frame
- Attach Steel Frame to the Face / Base Panels.
- Install the Face / Base Panel into the Cabinet.
- Install Handles, Leg Assembly, Mechanism Covers, Mattress
- Items needed to complete your assembly and installation.

It is important to keep the stickers with identification information on the cabinet panels until the units are assembled as they aid in the assembly process. These stickers will not be visible after assembly.

YouTube tutorials on Murphy Beds do not apply to the cabinetry used by WallBeds Australia. These videos only assist with installing the spring lift and the assembling of the steel frame components which is universal worldwide.

Alpha Bed Carton Contents

Each Steel Frame Carton contains one Single, Double, Queen or King Steel Bed Frame complete with leg assembly, PS-1 Panel Savers and necessary hardware. SBLM Mechanism components are in separate carton.

Note: If you are making a Horizontal Bed, you will require a longer Leg Connector Rod from your supplier.

Qty.	Steel Frame Carton Items	Comments	✓
2	Frame End Sections	Identical Head & Foot	<input type="checkbox"/>
2	Frame Side Sections	Identical, Right or Left	<input type="checkbox"/>
3(5)	Stiffeners - Bed Face (King Size)	Space evenly between Frame Sides	<input type="checkbox"/>
2	Fold-away Legs	One Left - One Right	<input type="checkbox"/>
1	Leg Connector Rod	Stabilizes and Eases Leg Operation	<input type="checkbox"/>
Hardware Card #3			
14	Bolt 10-24x1/2" (M6x12mm) Black	Bolt Frame corners	<input type="checkbox"/>
2	Bolt 10-24x1 1/4" (M6 x 32mm) Black	Bolt Leg Stop Foot corners	<input type="checkbox"/>
16	Nut 10-24 (M6) Nylock	Use with M6x12mm & 32mm	<input type="checkbox"/>
4	Angle 1"x1"x1 3/4" (25x25x44mm) Black	Use inside Frame corners	<input type="checkbox"/>
2	1/2"x3/4" (13x19mm) Round Black Cylinder	Use with #1213 as Leg Stop	<input type="checkbox"/>
Hardware Card #4			
2	1 1/2"x5/16" (T1.5x40mm) Black Washer	Secure Leg inside Frame	<input type="checkbox"/>
2	1 1/2"x.765" (T2.5x40mm) Black Washer	Secure Leg inside Frame	<input type="checkbox"/>
2	1 1/2"x.765" (T2.5x40mm) Black Nylon Washer	Between Leg & outside of Frame	<input type="checkbox"/>
2	Nut 5/16" (M8) Black Nylock	Secure Leg inside Frame	<input type="checkbox"/>
2	Bolt 1/4"-20 Black Hex Head	Attach Leg to Leg Rod	<input type="checkbox"/>
2	Star Washer for #1210	Attach Leg to Leg Rod	<input type="checkbox"/>
Hardware Card #5			
1	Nylon Web Strap with Buckle	Secure Mattress to Bed	<input type="checkbox"/>
2	3/4"x1/4" (T1.5x25mm) Washer	Secure Mattress Strap to Frame and Bed	<input type="checkbox"/>
2	#8x5/8" (M4x15mm) Wood Screw	/Face Panel under Mattress	<input type="checkbox"/>
Hardware Card #7 – DO NOT USE SEE ATTACHING FACE / BASE INSTRUCTIONS			
110	#8x5/8" (M4x15mm) Wood Screw	Attach Steel Bed Frame to Bed Face	<input type="checkbox"/>

Qty.	SBLM Mechanism Carton Items	Comments	
2	Spring Plate Covers	Cover Springs	
1	Lift Mechanism - Right Side	Attach to Right Side Panel	<input type="checkbox"/>
1	Lift Mechanism - Left Side #1	Attach to Left Side Panel	<input type="checkbox"/>
1	Bags containing 9 Springs	Install correct number in each Mechanism	<input type="checkbox"/>
1	13" Pipe	Used to set the Lift Mechanisms	<input type="checkbox"/>
Hardware Card #2 – IMPORTANT SEE ASSEMBLING CABINET INSTRUCTIONS			
10	Cone Allen Bolts 5/16-18 x 1 1/4 (32mm)	To attach Lift Mechanisms to Side Panels	<input type="checkbox"/>
4	Hex Head Bolt 5/16-18 x 1"	Attach Mechanism to Frame Side section	<input type="checkbox"/>
2	Round Allen Head Bolt 5/16-18 x 1"	Position Mechanism Arm on Frame Side section	<input type="checkbox"/>
16	Hex Head Nylock Nut	Secure Bolts and Screws	<input type="checkbox"/>
1	Allen Wrench 5/16"	For Allen Head bolts	<input type="checkbox"/>
2	Black Wood Screws	For Attaching Spring Plate Covers	<input type="checkbox"/>

Tools Required

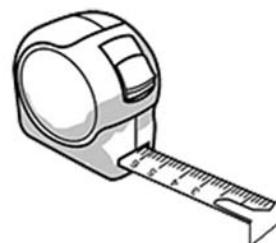
Below are the tools that will be required to assemble your wall bed.



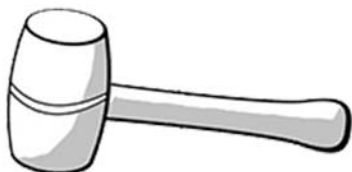
Level



Phillips Screw Driver



Tape Measure



Rubber Mallet



130mm / 3mm
Long Drill Bit



130mm Long
Phillips Head
Screwdriver



8mm spanner



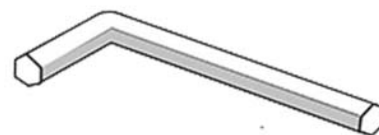
1/2" spanner x 2



7/16 spanner








Studfinder



5mm Allen key

WallBeds Australia Hardware and Panel List

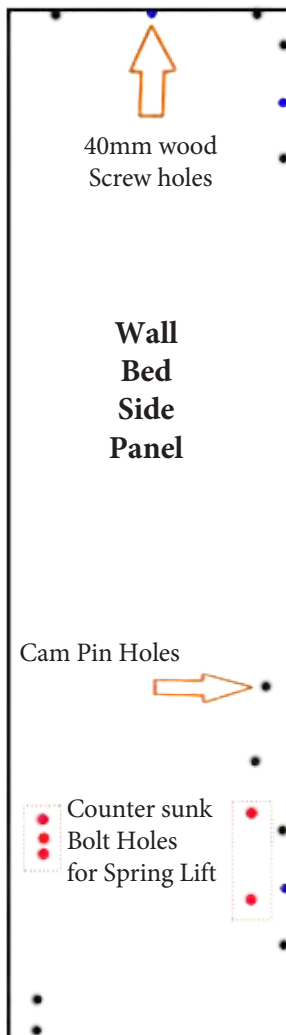
Hardware Parts

Cam Lock 	Cam Pin 	Dome Head Screw 	"L" Wall Bracket 	8g 40mm Screws 
---	--	--	---	--

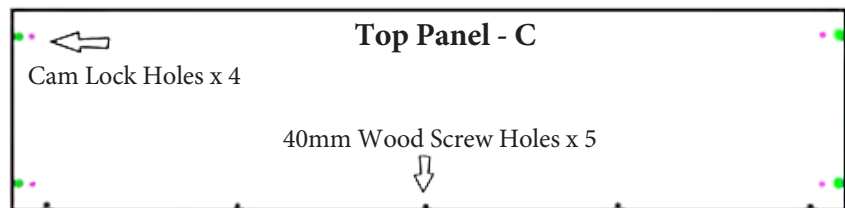
10g 50mm Wall Fixing Screw 	Handle Screw 	25mm Cone Allen Bolt 	Handle 
---	---	--	---

Wall Bed Panel List

2 x Side Panel - A



Top - C

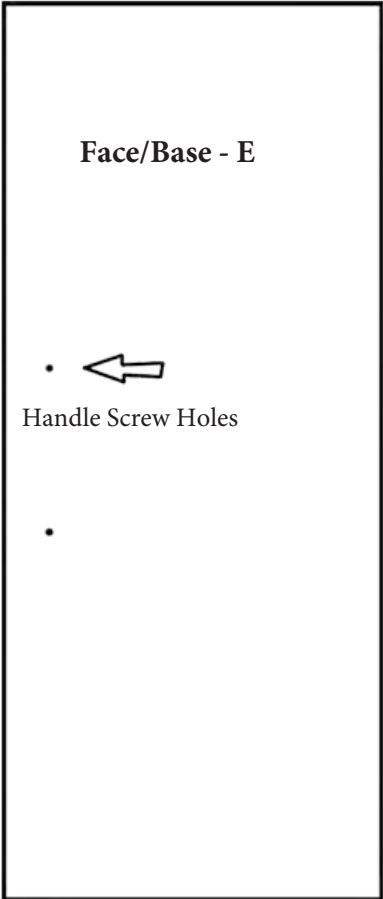


Top Back - D



Wall Bed Panel List

Face/Base - E



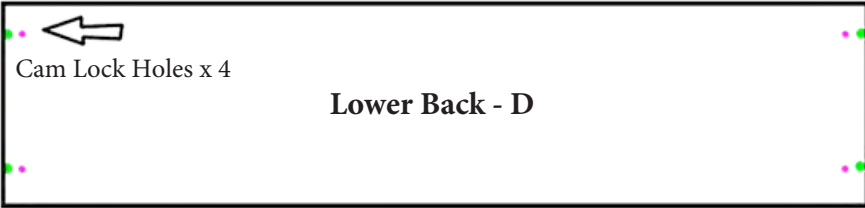
Kick - B



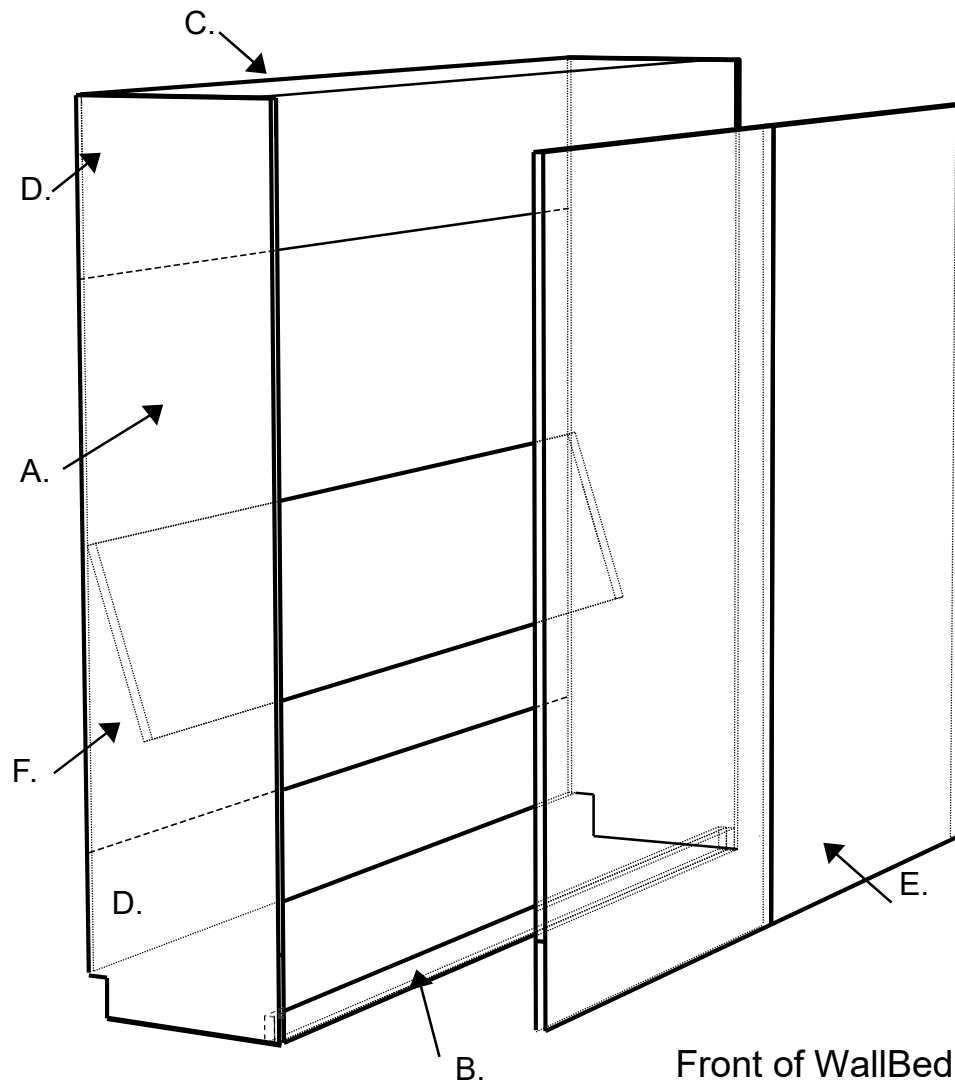
Head Board - F



Lower Back - D



Alpha Wall Bed Cabinet Components



Drawing 1

Cabinet Components Description

- E. Face/Base Panels
- A. Side Panels
- C. Top Panel
- D. Back Panels
- B. Kick
- F. Head Boar

Spring Application Chart

Note: Studio Desk- One additional spring per side is required as per the chart below.

BED SIZE	BED ORIENTATION	
	VERTICAL	HORIZONTAL
Single	4 springs per side	2 - 3 springs per side
Double	7 springs per side	5 - 6 springs per side
Queen	8 springs per side	6 - 7 springs per side
King	9 springs per side	NOT AVAILABLE

The Spring Guide is based on the following mattress weight;
 Single- 24kg Double- 38kg Queen- 42g King- 47kg

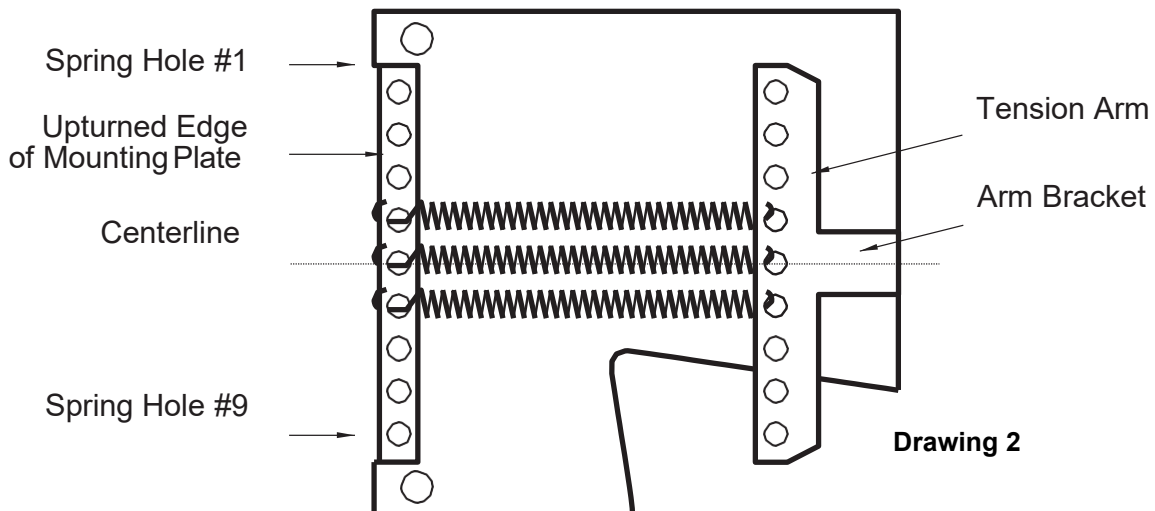
Once you have installed and tested your bed, you may need to adjust the amount of springs to achieve proper counterbalance.

There are nine locations for springs. If the bed requires an even number of springs, do not use the centre hole (#5 from the top). If the bed requires an odd number of springs, start with the centre hole (#5 from the top)

TIP: For ease of attaching springs, start by unhooking any factory pre-loaded springs. *By doing this, you will find the Tension Arm moves more freely.* Start by adding springs towards the top of the Tension Arm (Hole #1) Then add springs to lower section of the Tension Arm (Hole#9)

Hook the springs, so the open ends are facing outward. You may have to pry up the tension arm and slide the spring under and snap them into place in the proper hole.

Ensure you match the same numbered hole from the top on the opposite plate. You should have an equal number of springs on each side of the centre hole. Use the same number of springs and the same layout on both the left and right mechanisms.



Assembling the Wall Bed Cabinet

- For an easier final wall mount, you should assemble bed cabinet in the room where it will be used.
- Tighten the cam locks to the cam pins using a hand Phillips screwdriver rather than a power tool.
- When putting together a vertical cabinet, it's important to make sure that the cam locks are not visible once the cabinet is finished.
- To accomplish this, make sure that when you're attaching the panels together, the cam locks are facing away from the inside of the cabinet and towards the ceiling or wall.

Refer to photos 4 and 5 on page 19.

** When assembling a **HORIZONTAL** cabinet, the cam locks in the Top Panel (C), face inward to the cabinet. **

IMPORTANT- Make sure that the countersunk holes on the end panels are facing towards the outer side of the cabinet.

Refer to photo 3, page 19.

- ❖ **Step1 –Springs-** Check the Spring Application Guide for the number of springs required for your mattress weight. *Refer to Page 9.*
- ❖ **Step 2 - Hardware-** Insert cam locks and pins into cabinet panels. Do not use center cam pin holes on the side panels or the holes along the back edge of the Top Panel, as 40mm wood screws will be used in these holes. *Refer to pages 6 and 7.*
- ❖ **Step 3 - Cabinet Assembly-**Tighten each Cam Pin once inserted into the Cam Lock

Attach all the following panels to the Side Panels, then tighten the Cam locks.

- **Top Panel to Side Panels** – Position the side panels with the counter sunk holes facing outwards and the edge tape facing downwards. Align the cam locks on the Top Panel with the cam pins on the side panels and fasten.
- **Top Back Panel, Kick panel, Headboard, Lower Back Panel** - Secure the Top Panel and both Back Panels Using 40mm wood screws. Using the pre-drilled holes that were not required for the cam pins. *Refer to Panels – A and C- Page 6.*
- Insert all 40mm wood screws, stand it upright and place it against the wall.

❖ **Step4 -Attaching the Spring Lift Mechanism**

IMPORTANT- Do Not Use 6 of the 30mm Cone Allen bolts supplied bolts from Card #2 in the front countersunk holes of the End Panels. Using these will result in the Tension Arm not engaging correctly. The 30mm bolts are only for the back two countersunk holes. The 30mm bolts are only for the back two countersunk holes.

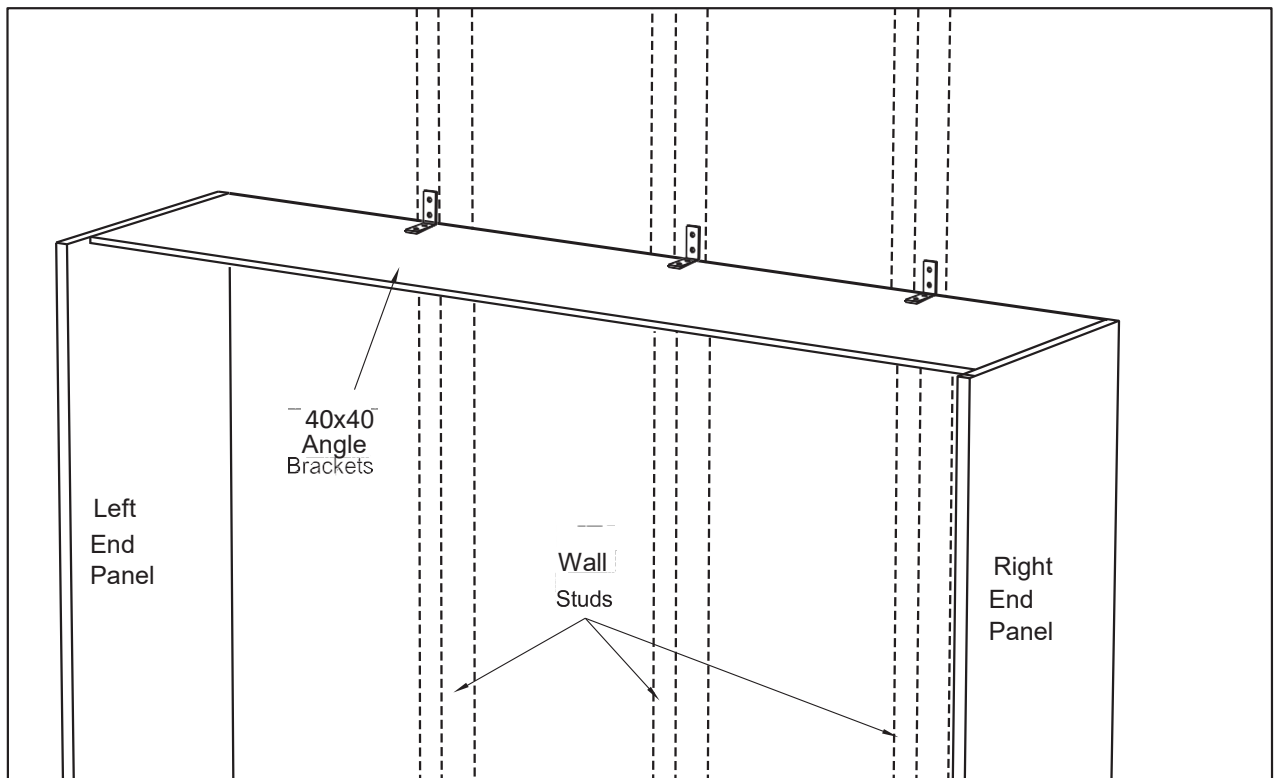
- In the front, three countersunk holes in each Side Panel use the 25mm Cone Allen bolts supplied in the supplementary hardware bag.

Note- The top 25mm countersunk bolts on each side of the Spring Lift Mechanism will not require the Nylock Nuts.

Attaching Wall Bed Cabinet to your wall

Alert: If the wall is not a wood stud wall, then you will need to use metal stud screws, toggle bolts or concrete expansion bolts as necessary. **THESE ARE NOT SUPPLIED.** Only fixings suitable for a timber stud are supplied.

- The cabinet **must be secured to wall studs or other wall structural members** using 40mm x 40mm L-Brackets & the 65mm timber stud fixing screws or suitable replacements if not a timber stud.
- Placing the cabinet against the wall. Locate 3 studs or other wall frame members at the level of the Top panel. *Refer to Drawing 3*
- Using a spirit level ensure the cabinet is level. You may need to use "packers" to achieve the cabinet being level.
- Measure diagonally to be sure the cabinet is square. The wall bed will not operate correctly if the cabinet is not square.
- Once the cabinet is square and level, use one 65mm wood screws in each of three "L" brackets to attach to studs. Then use the Dome Head Screw to attach the "L" bracket to the Top Panel (C)
- Re-check the wall bed cabinet is square and level and then secure "L"-Brackets to the Top panel (C) of the wall bed by using the Dome Head wood screws.



Drawing 3

Alpha Bed Steel Frame Assembly

The Alpha Frame is adaptable as vertical or horizontal bed. A leg extension bar is required for a horizontal bed.

Hardware Card #3 is used for Steel Frame Assembly.

FRAME ASSEMBLY

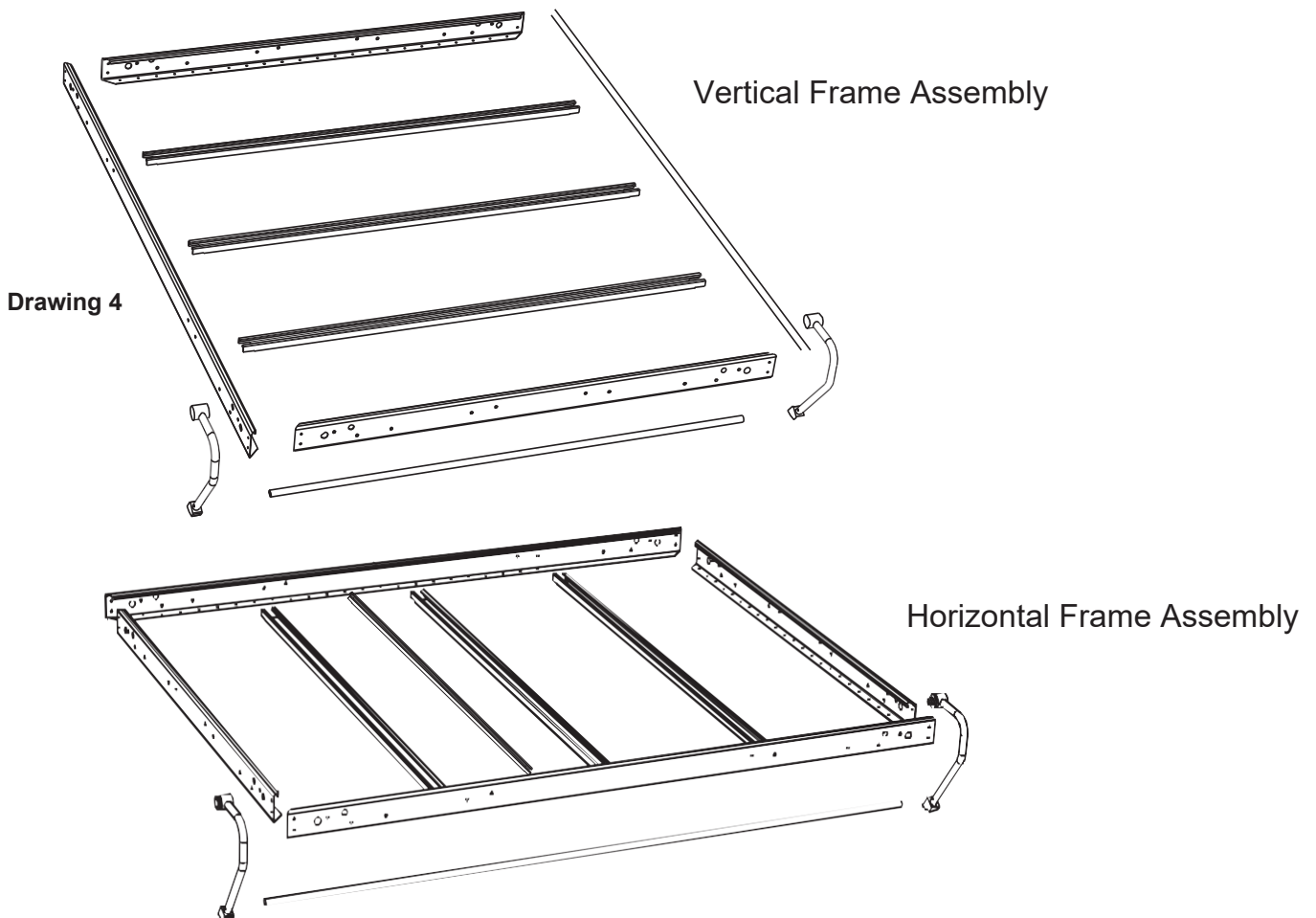
- Assemble the Steel Bed Frame by joining the four rails together using four small corner brackets and 14 - M6 x 12mm bolts and M6 Nylock Nuts.

LEG STOP

- To create the Leg Stop, use the 2 M6 x 32mm bolts along with an M6 Nylock Nut and 2 Round Black Cylinders measuring 1/2" x 3/4". These bolts should be placed at the outer right and left bottom holes of the corner bracket located at the foot of the bed frame. Refer to Drawing 6, page 14.

Note: The stiffener bars are shown in Drawing 4 for reference only. These are not attached until the Attach Face / Base step in this manual.

Three steel stiffeners are provided for all beds (5 for King). These notched stiffeners will be attached to divide the Bed Face / Base length into four equal sections.



Attaching the Frame to Face / Base Panels

Note: DO NOT USE CARD #7 Using these screws will result in damage to the Face / Base Panels. You must use the Dome Screws supplied in the supplementary hardware bag by WallBeds Australia.

Before attaching the frame, make sure to inspect the Face/Base panels for any imperfections. The front panels are universal. Place them on a non-scratch surface and align them with the handle holes located at the center where they meet

Using the long drill bit pre-drill, the dome head screw holes for all frame fixing screws will avoid the timber bulging through the Face/Base panel.

Use caution not to damage bed Face / Base panels by putting screws in too far into the panel

It is essential to have the Steel Frame centered on the Face / Base panels. Any error will be noticed in the vertical sight lines and may interfere with the operation of the Face / Base.

Step1

- Place a small washer or 5c piece between the two-door panels at each end to create an equal gap between the door panels. Remove these once the frame is fixed to the Face / Base panels.

Step2:

- Make sure the top and bottom of the Face/Base Panels are level. Place the frame flush with the end of the panels farthest from the handle holes. The handle holes should be located towards the foot end of the Face/Base Panels. A gap of approximately 25mm will be present between the long sides of the bed frame and the edges of the panels. See drawing 5, page 14..
- To ensure the Steel Bed Frame remains square, start fixing the frame to the Face/Base at each corner location first.

Step 3:

- After attaching the frame to the divide, the Face/Base into four equal sections by spacing the Stiffener Bars over the panels and attaching them using the dome head screws. Refer to drawing 5, page 14.

Note: King Beds have five stiffeners (see diagram on pg. 14 for placement).

- **HORIZONTAL BEDS-** Remove any spacers before attaching the timber stiffener. Attach the additional timber stiffener over the join in the two Face/Base panels secure with 28mm wood screws. Add one steel stiffener beside the timber stiffener and the other equally spaced on the opposite panel.

Step 4:

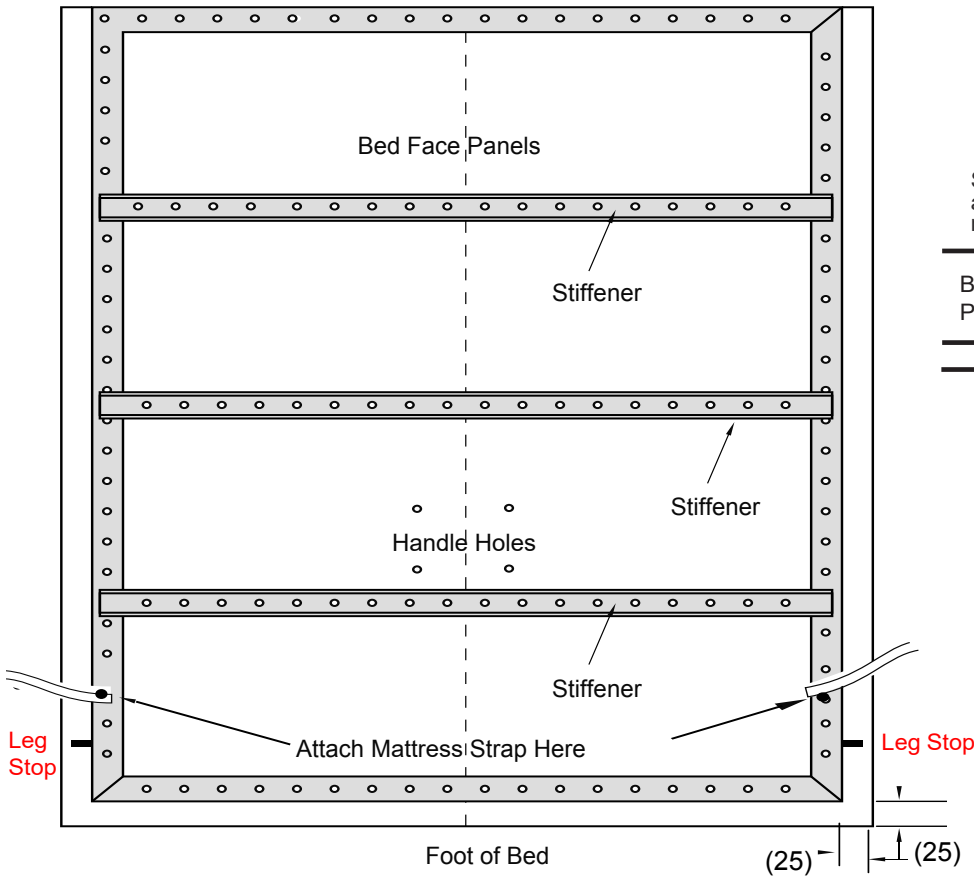
- Attach the Panel Savers (*PS-1*) are per instructions on page 20
- Attach the mattress Nylon Web Strap (*Hardware card #5*) approximately 457mm from the foot of the bed. Use one of the existing frame holes & dome screws from the steel frame
- Remove the two spacers

Steel Bed Frame to Face / Base Panels

Vertical Frame Assembly

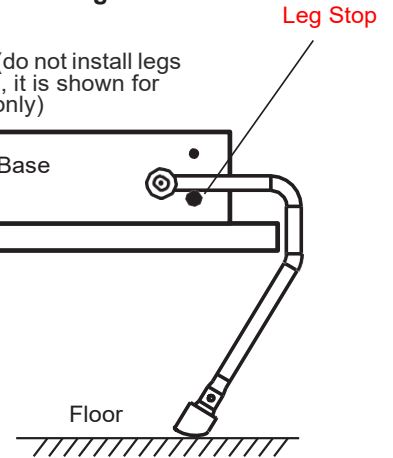
Drawing 5

Frame flush with Face Base Panels Head of Bed



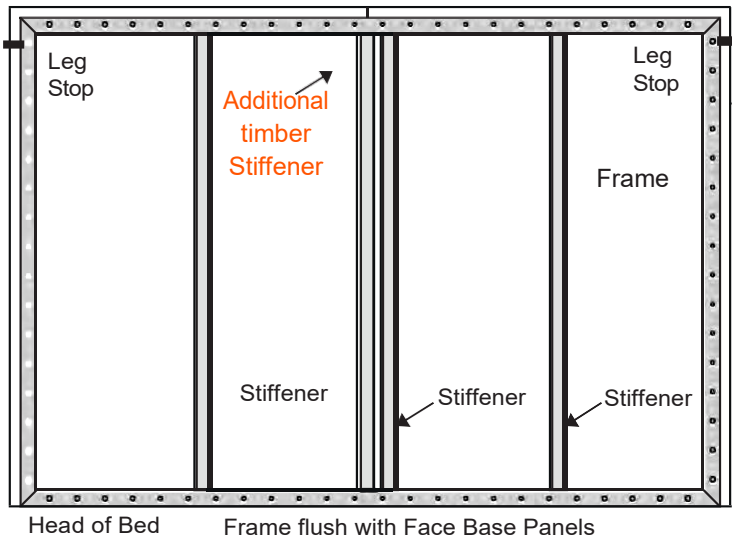
Drawing 6

Side View (do not install legs at this time, it is shown for reference only)

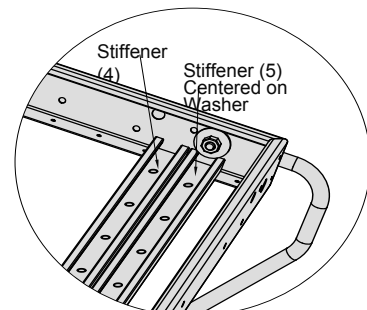
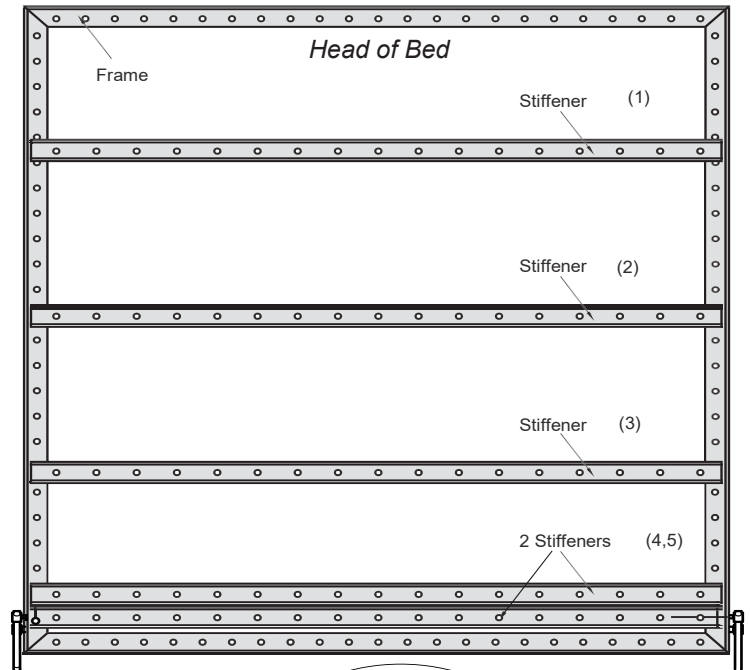


Horizontal Frame Assembly

Foot of Bed



Vertical KING Bed Stiffener Placement Only



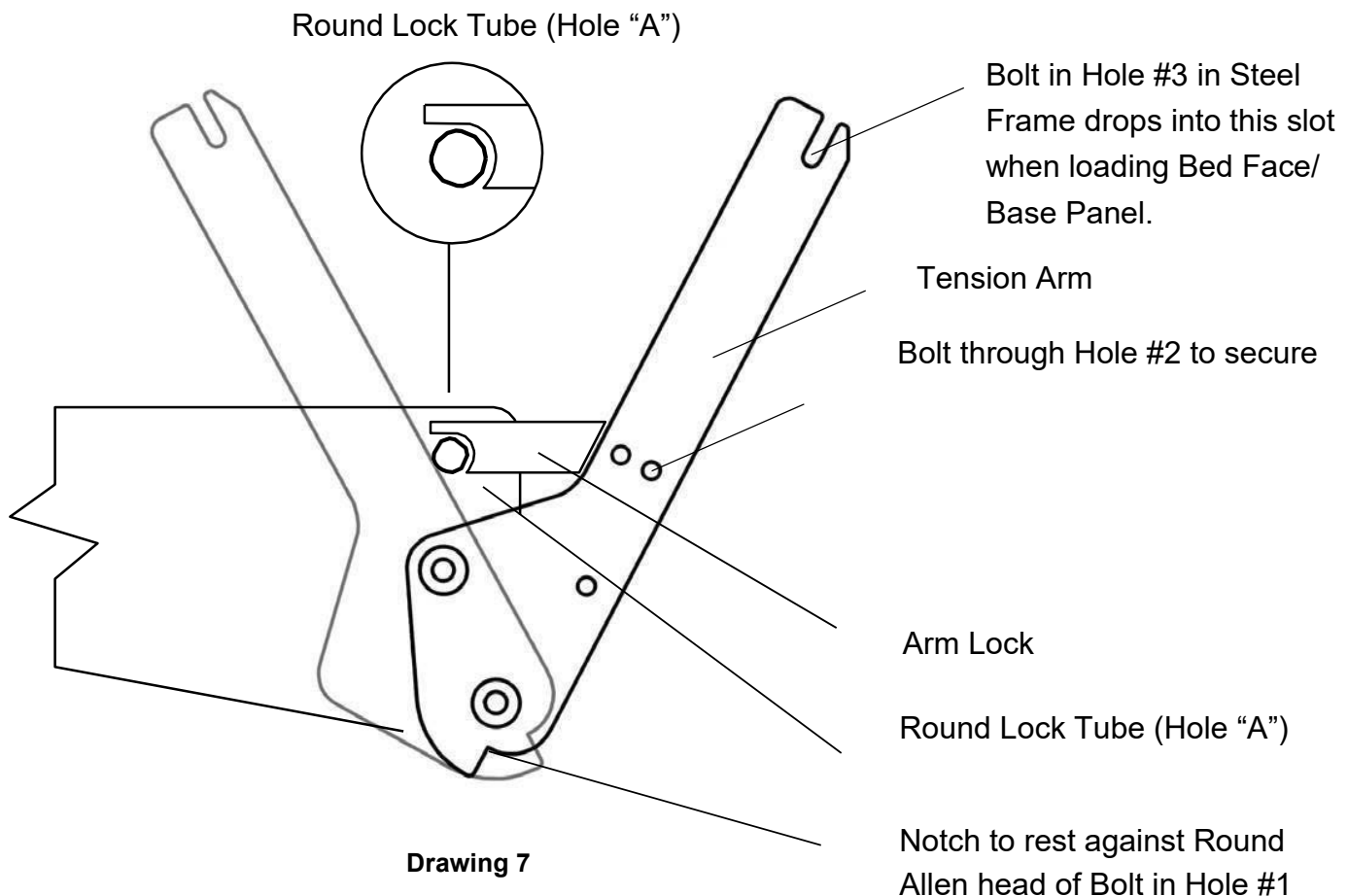
Setting the Spring Lift Mechanism

WallBeds Australia recommends eye protection is worn while setting the Spring Lift Mechanism

Note: Have a helper assist in the setting of the lift mechanism and loading of the bed Face / Base panel. **Do not** reach behind the tension arm when you are doing the setting procedure. Ensure the tube supplied is placed far enough onto the tension arm to prevent either the tube slipping off or breaking.

- Place the tube supplied over the Spring Lift Arm. Placing one foot against the bottom front edge of the Side / End panel of the wall bed.
- Lever the tension arm downwards until you can set the silver arm lock to the round lock tube (hole A) *see drawing 7*. This is the position of the top cone bolt that was used to attach the Spring Lift mechanism. This may also require the assistance of a helper to achieve this step.

Tip: A longer pipe or similar could be used providing it is not fragile and of similar or stronger construction. This will allow for extra leverage when engaging the Tension Arm.



Installing the Face/Base Panel onto the Spring Lift

To complete this step safely, the assistance of a helper is necessary.

Refer to drawings on Page 17 for bolt-hole locations on the Alpha Steel frame. Use the bolts and Nylock nuts from Hardware Card #2.

- Insert two 5/16 hex head bolts from the outside through hole #3 on the steel frame. Place the 5/16 Nylock nuts onto these bolts. Do not tighten at this step.
- Insert the two round Allen bolts into Hole #1 on the frame. Tighten them using the 5/16" Nylock nuts.

Important- The Face/Base must be installed onto the spring lift tension arms with the bottom edge behind the cabinet kick panel.

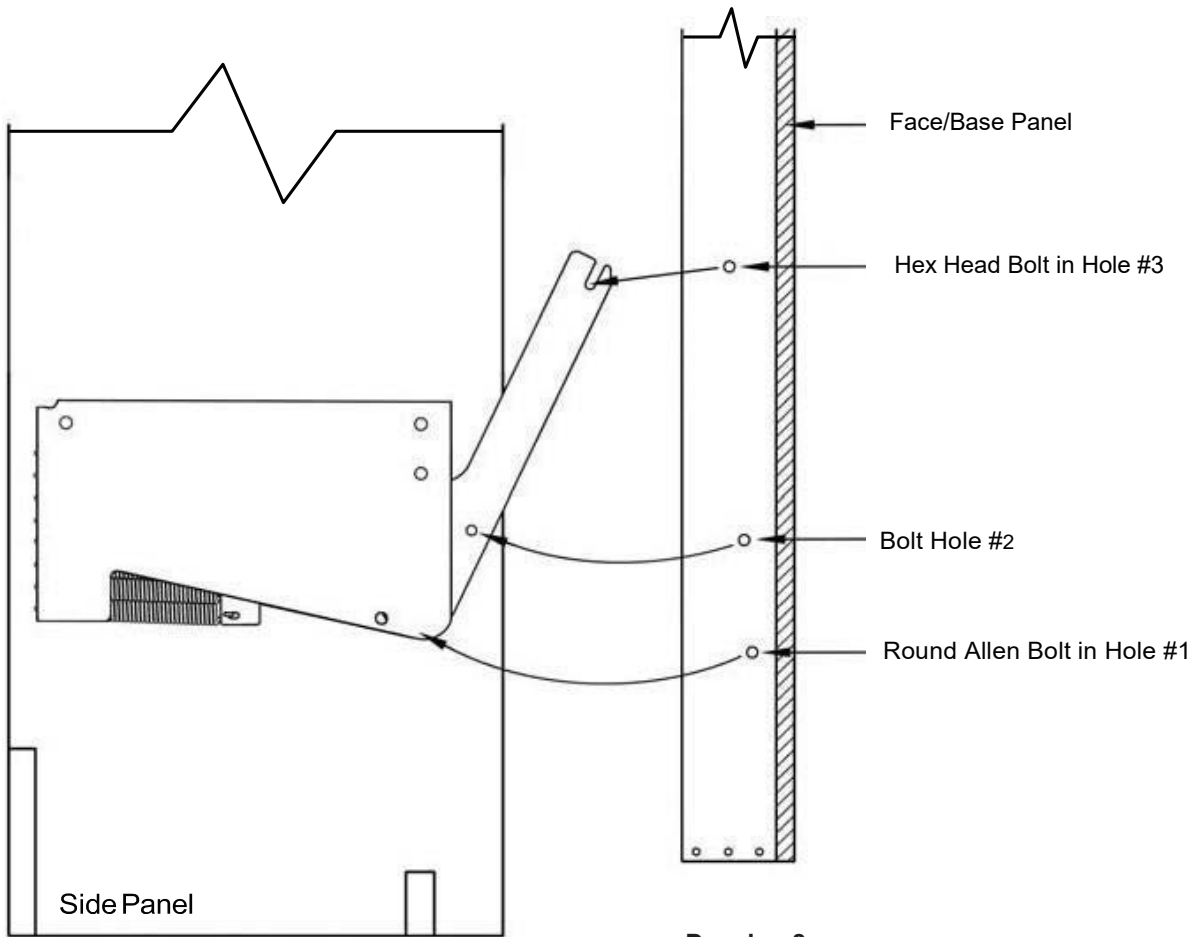
- Stand the Face/Base panel upright between the tension arms. Lift and tilt it back evenly until the two hex head bolts in Hole #3 on both sides of the Steel Frame fit into the notched cut out of the Tension Arm.
- Lower the Face/Base panel to a 45-degree angle to reveal the bolt holes #2.
WARNING - This will also disengage both Tension Arm Locks.
- Insert two 5/16" hex head bolts into Hole #2 on both sides of the Tension Arms. Tighten them using the 5/16" Nylock nuts.
- Tighten the two 5/16 Nylock nuts securely for the bolts that were inserted in Hole #3.

Ensure to lift the Face/Base panel gradually while under spring tension to prevent injury or cabinet damage.

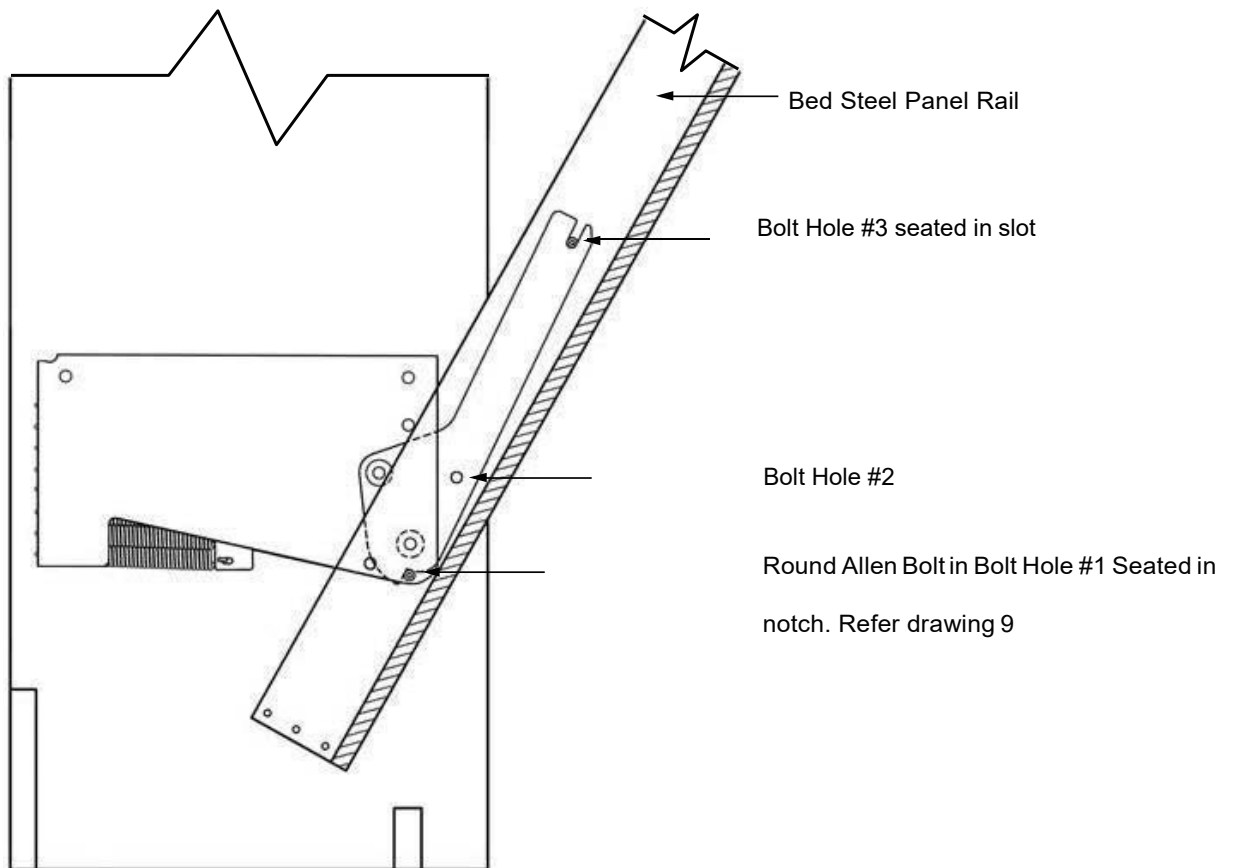
When closing the Face/Base panel if the panel comes in contact with the top section of an End Panel, gently push the bottom of the End Panel that the Face/Base has come into contact with towards the opposite side. This will create more space between the two panels and avoid any contact.

Tip - Once the gap on either outer edge of the Face/Base panel is even with the End Panels secure the Lower Back Panel (D) to the wall studs, preventing further cabinet movement

IMPORTANT-The mattress must be placed on the Face/Base panel for it to stay open due to the tension of the Spring Lift Mechanism.



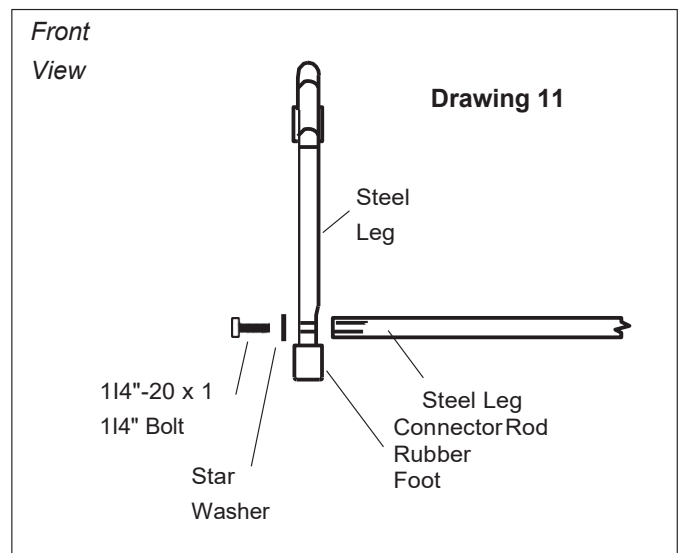
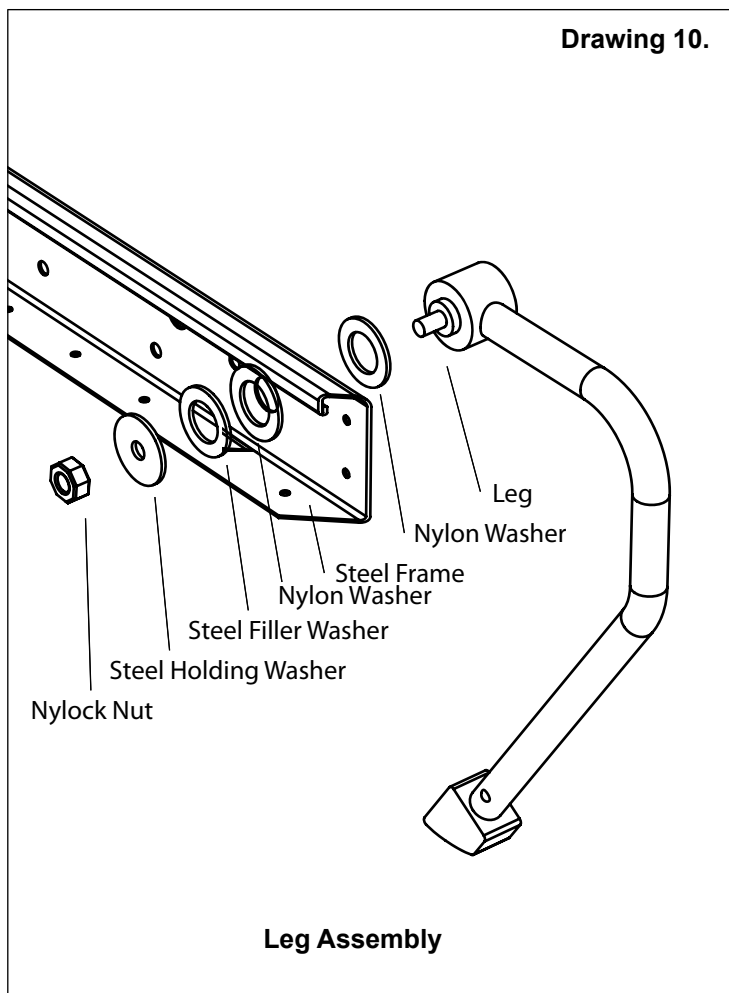
Drawing 8



Drawing 9

Install Handles, Legs, Mechanism Covers, & Mattress

- Install the door handles using handle screws supplied in Supplementary Hardware Bag
- Install legs with the nylon washers on the inside and outside of the steel rails. Tighten the nylon nut to have a small amount of friction when leg assembly is rotated from the up to the down position. *drawing 10*
- Install leg connector rod between legs and secure with 1/4" x 1 1/4" Hex head bolts and star washers *drawing 11*. Be sure they are securely tightened so as not to become loose.
- Attach the powder coated spring mechanism covers that were in the SBLM Carton in place. - **Secure these with #8 x 1 1/4" black wood screws through the hole in each of the cover plates hardware Card #2**. These screws will fix into the timber side panels of the bed. These screws will attach into the timber of the side end panels of the bed. *Drawing 12 & 13*
- Install mattress and secure with previously installed straps.



Drawing 12



Drawing 13

Assembly Images

Photo 1



Photo 2



Photo 3



Photo 4

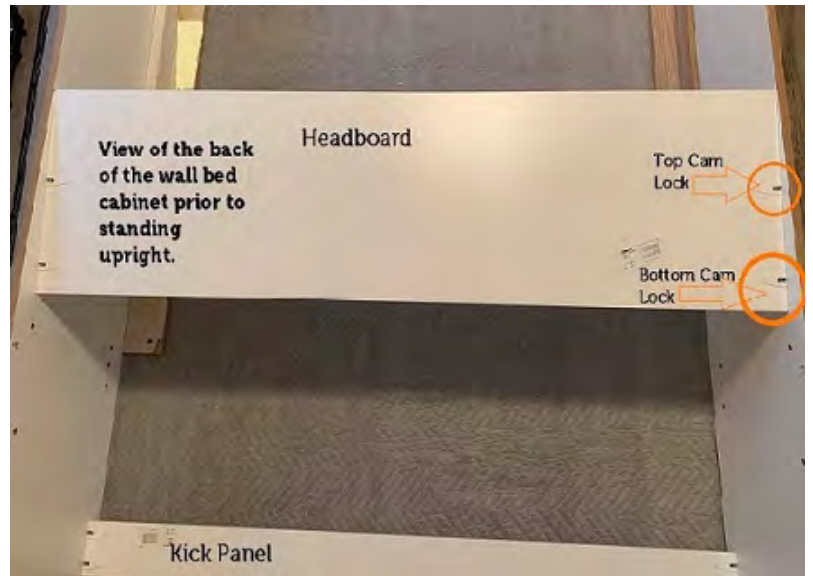
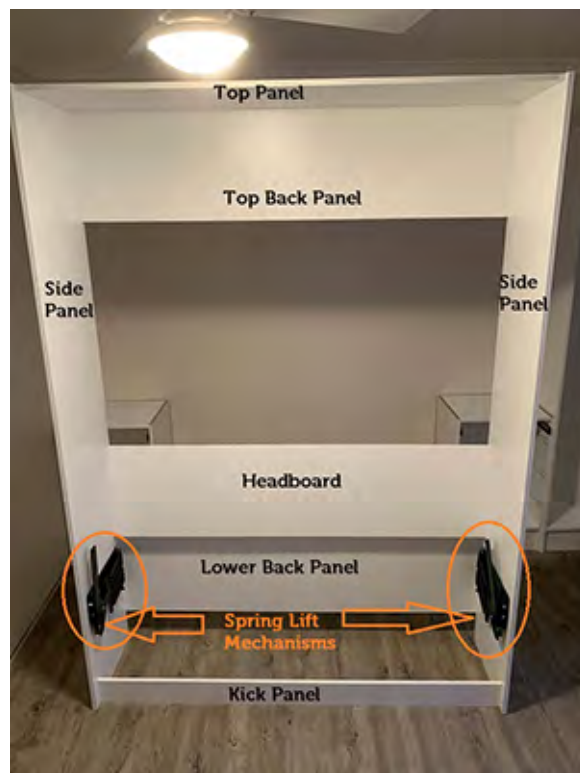


Photo 5



Fitting Instructions for the Alpha Bed Steel Frame PS-1 Panel Saver

What does the PS-1 Do?

The PS-1 can be fitted to protect the upper back face of the door panel if the user forgets to lower the legs to the ground when opening the wall bed. Significant damage can be caused to the wall bed face panels as it passes from the horizontal point and goes to the floor. The PS-1 will reduce damage to the face panels but will not protect against possible damage to the Spring Lifting Mechanism by overstretching the springs.



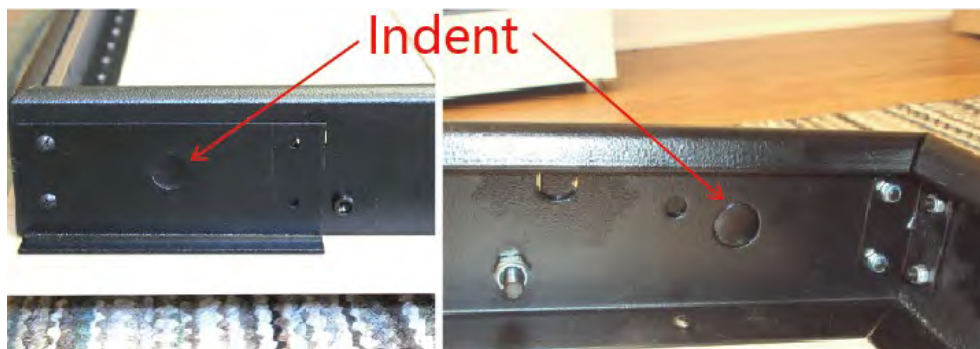
The PS-1 is attached at the bed head of the bed, not at the foot end of the bed where the leg is mounted.

There is no left or right - the unused holes are for the opposite side.



Insert the indent on the PS-1 into the large hole in the frame closets to the corner angle bracket. Secure the PS-1 into position by using the two (M6x12mm) Black bolts that hold the frame corner brackets. The remaining two smaller holes in the PS-1 are there, as they are reversible and interchangeable with either side of the frame.

Repeat this step for the opposite side.



Assembly Images

Photo 6

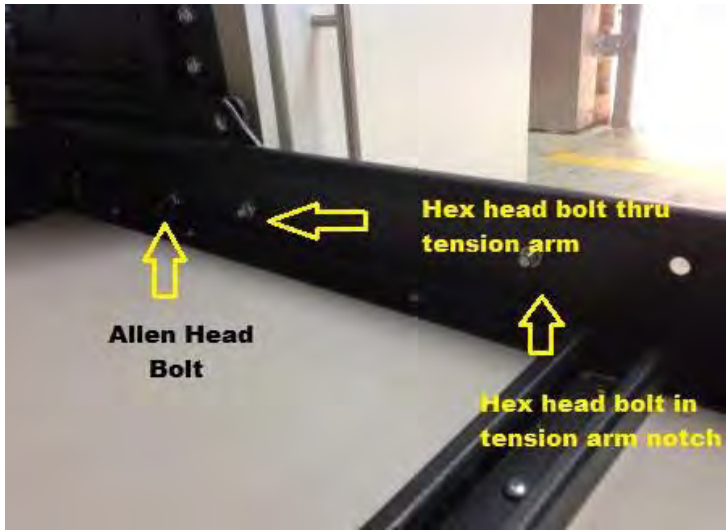


Photo 7



Photo 8

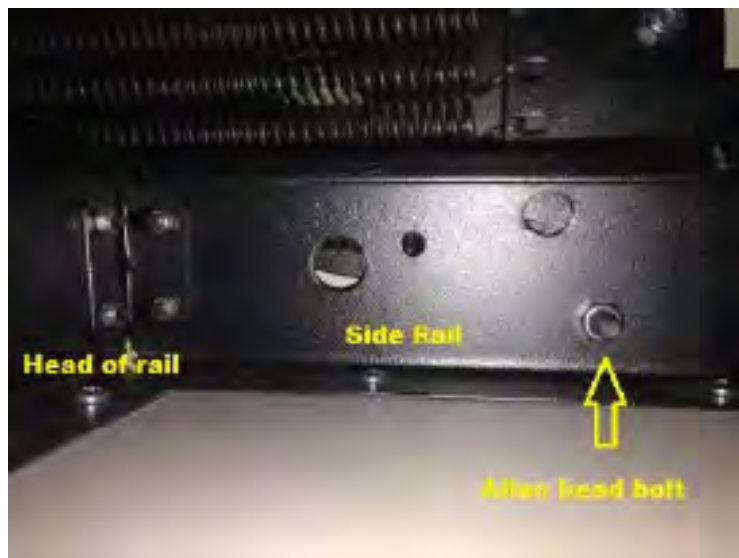


Photo 9



Photo 10



Photo 11

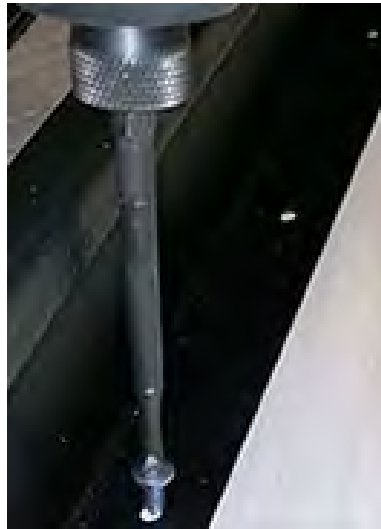


Photo 12



Follow up to Initial Assembly

- Level or square problems with the Face / Base fitting into Cabinet.
- The Face I Base panel is hitting the side panel on one of the top corners

Nudge base of Cabinet at the floor level - or use packers under the End Panels.

- The bed is too heavy to operate, or Face / Base panel slams shut or is difficult to open.

You may decide to use one more or less spring(s) on the Lift Mechanism.

To achieve this will require you to remove the Face/ Base panel for ease of access to the springs.

- The springs squeak when lowering the Face / Base.

Remove spring cover plate and lubricate the springs with a small amount of WD40 or similar.

- The legs do not open at the same time or feel loose when opening

Tighten the leg connector rod 1/4" bolts as per page 18

