



*Reclaim Your Space*

**Assembly Instructions  
Alpha WallBed  
Studio Desk**

**studio™**

**\*\* LIFETIME WARRANTY \*\***

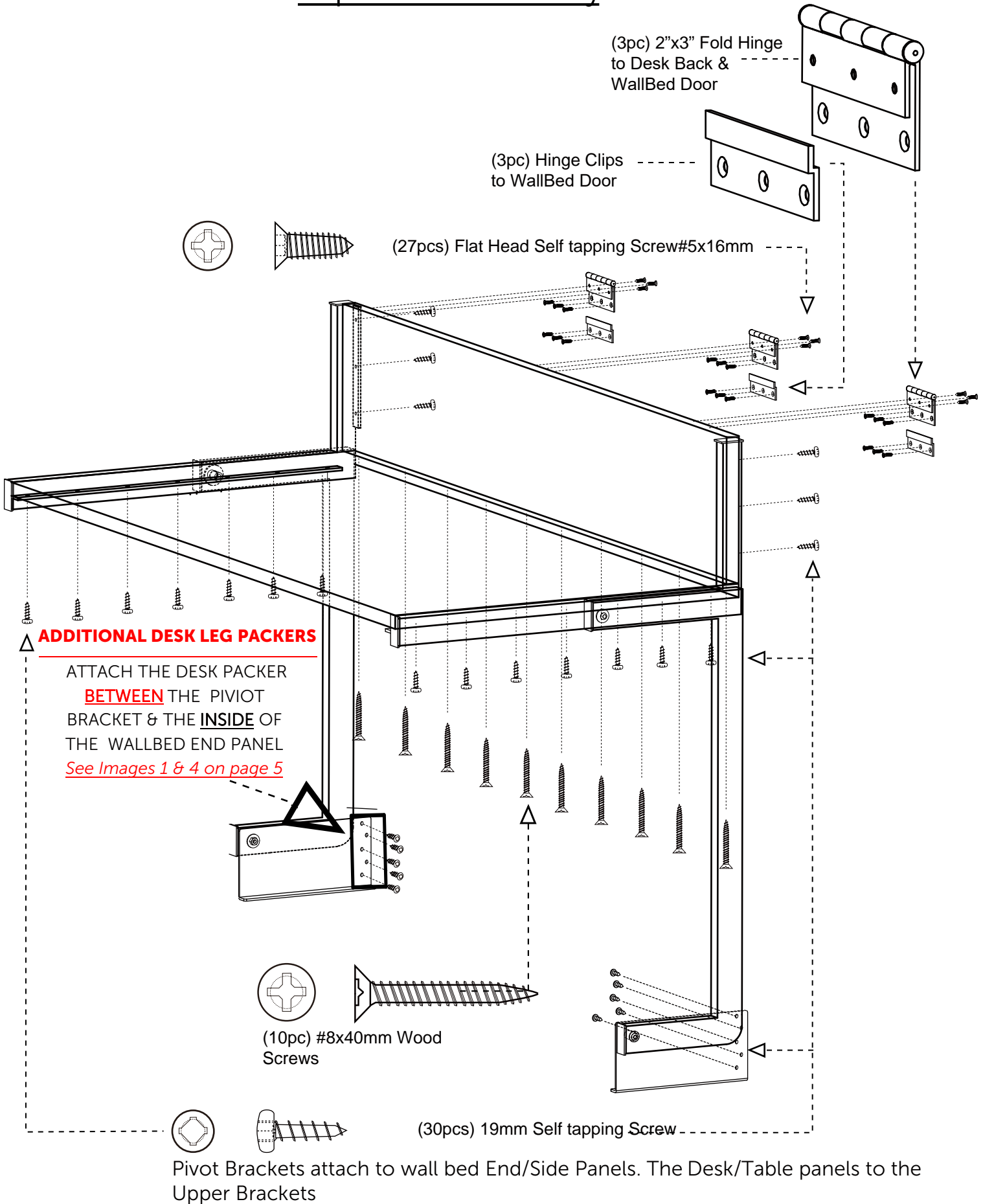
Designed to Exceed International ISO 9002  
Standards for Residential Specifications  
- Patent Pending -

Issue:041414

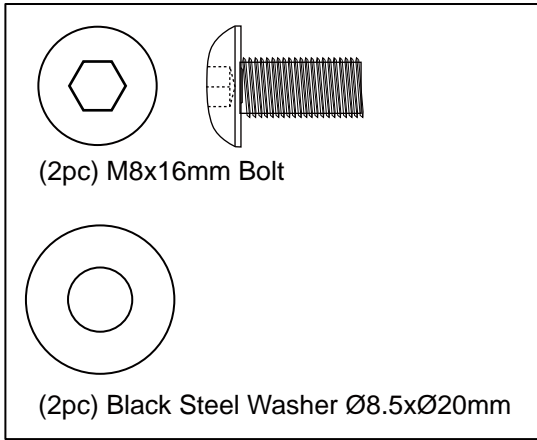


*Let's build a Wallbed together!*

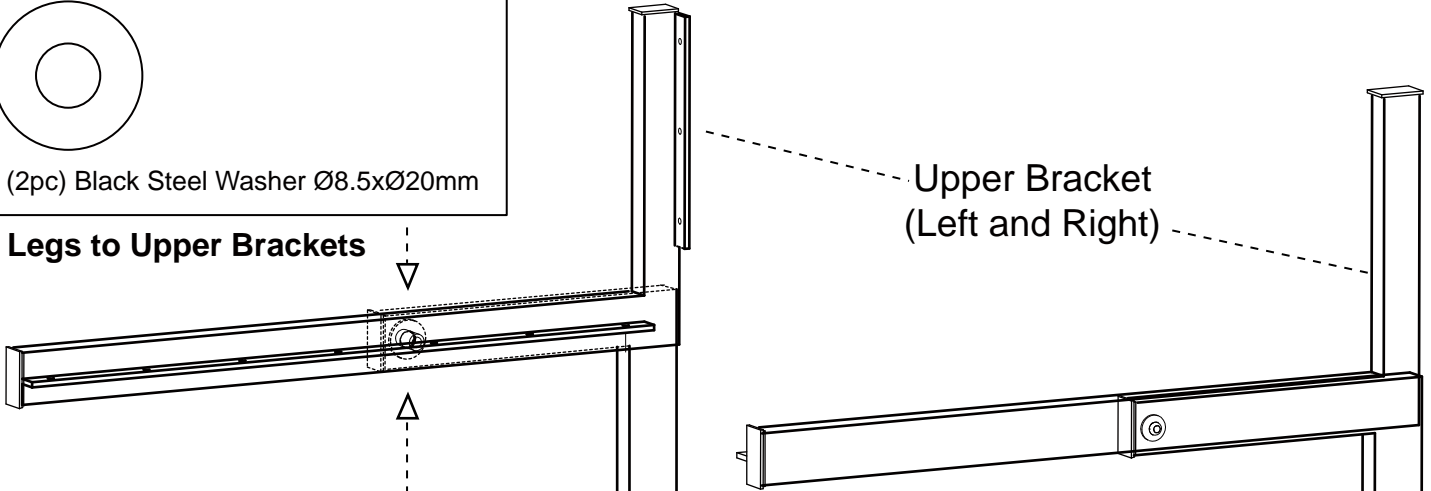
# Exploded Assembly



# Studio Desk Hardware

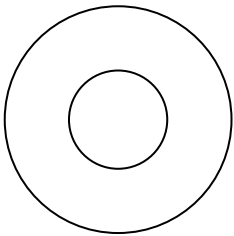


## Legs to Upper Brackets

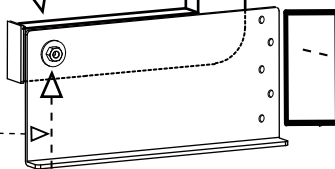


Washers stop friction between  
Legs, Upper and Lower Brackets

(4pc) Black Nylon Washer Ø13xØ30mm



L/H Side When You Are  
Facing The Wallbed.

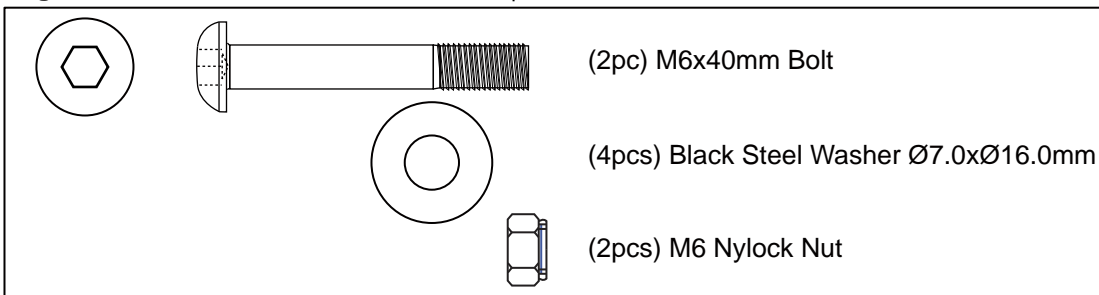


R/H Side When  
You Are Facing  
The Wallbed.

Leg Packer  
(Left and Right)

## Pivot Bracket (Left and Right)

## Legs to Pivot Brackets



**Important:** If the wall bed is slightly too heavy too open and close without the Studio Desk mounted you should add one Spring to the right and to the left to assist in balance. An odd number of Springs right and left may be used to get balance.

## Steps to Complete the Project

### STEP 1: Assemble Desk Top and Back to Upper Desk Brackets.

- Assemble the Desk Top and Desk Back to the Upper Brackets as shown in Drawing #1.
- Using the 19mm wood screws attach the Desk Top panel to the Left and Right Upper Brackets.
- Using the 19mm wood screws attach the Desk Back panel to the Upper Bracket.
- Align the Back Panel with the back edge of the Desk Top panel.
- Attach the Desk Top and Desk Back panels together from the underside with the #8x40mm Screws.
- **HORIZONTAL BED DESK TOP BRACE** - The Desk Top Brace panel is attached in the center of the underside of the Desk Top panel with #8x40mm Screws. See page 5

### Fitting Desk Packers

- Place the Desk Packer in front of the Kick Panel on the inside of the wall bed End Panel. Place the leg and pivot bracket over the Desk Packer. *Images 1 & 2.*
- Move the leg in a lowering and rising motion. Ensuring the leg does not strike on the wall bed End Panel when lowering & raising.
- Mark the locations of the fixing holes for the 19mm Self tapping Screw Pivot Bracket screws onto the Desk Packer. Repeat for the opposite side. Tip: *Use your drill with a 5mm drill bit to lightly mark the locations on the desk packer. Image 2*
- Select two locations on the Desk Packer where the pivot bracket attachment screws are not located. Pre-drill the 5mm countersunk holes for the 28mm Desk Packer attaching wood screws. *Image 3*
- Attach the Desk Packers to the wall bed End Panels. Ensuring the head of the wood screw is flush or lower than the surface of the Desk Packer. *Once fully assembled these leg packers will square up the studio desk legs with the cabinetry.*



Image 2



Image 3



Image 4

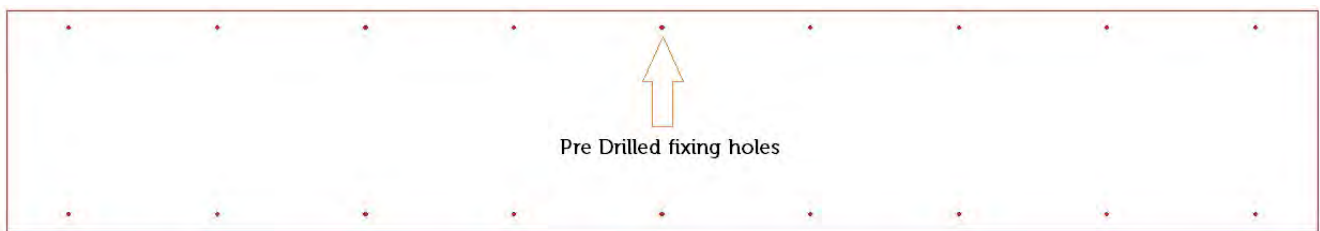


## Important

### Wall Bed Legs & Leg Connector Rod for the Horizontal Double Studio Desk.

- The supplementary Horizontal Leg Connector Rod **is not required or supplied** when creating a Double Horizontal Studio Desk Bed.
- The Studio Desk will support the Face/Base Panel.
- Remove the Legs from the wall bed once the wall bed has been assembled otherwise they will foul on the Desk Top when opening the bed.
- The Horizontal Queen still requires the use of the legs to support the Face/Base Panel.

### How to attach the Desk Top Support Brace



### This Desk Top Brace is fixed using 28mm Wood Screws

A Desk Top Brace has been supplied which attaches to the underside of the Desk Top.

Due to the large span of the Desk Top for a Horizontal Wallbed this brace will reduce the potential risk of the Desk Top "sagging" over a period of time. This brace will not interfere with the normal operation of the Studio Desk.

This brace is a precautionary item provided for this product on the advice of the manufacturer

### Attaching the Desk Top Brace Panel

*Assemble the Studio Desk as per Step 1 page 4 of the Studio Desk instructions.*

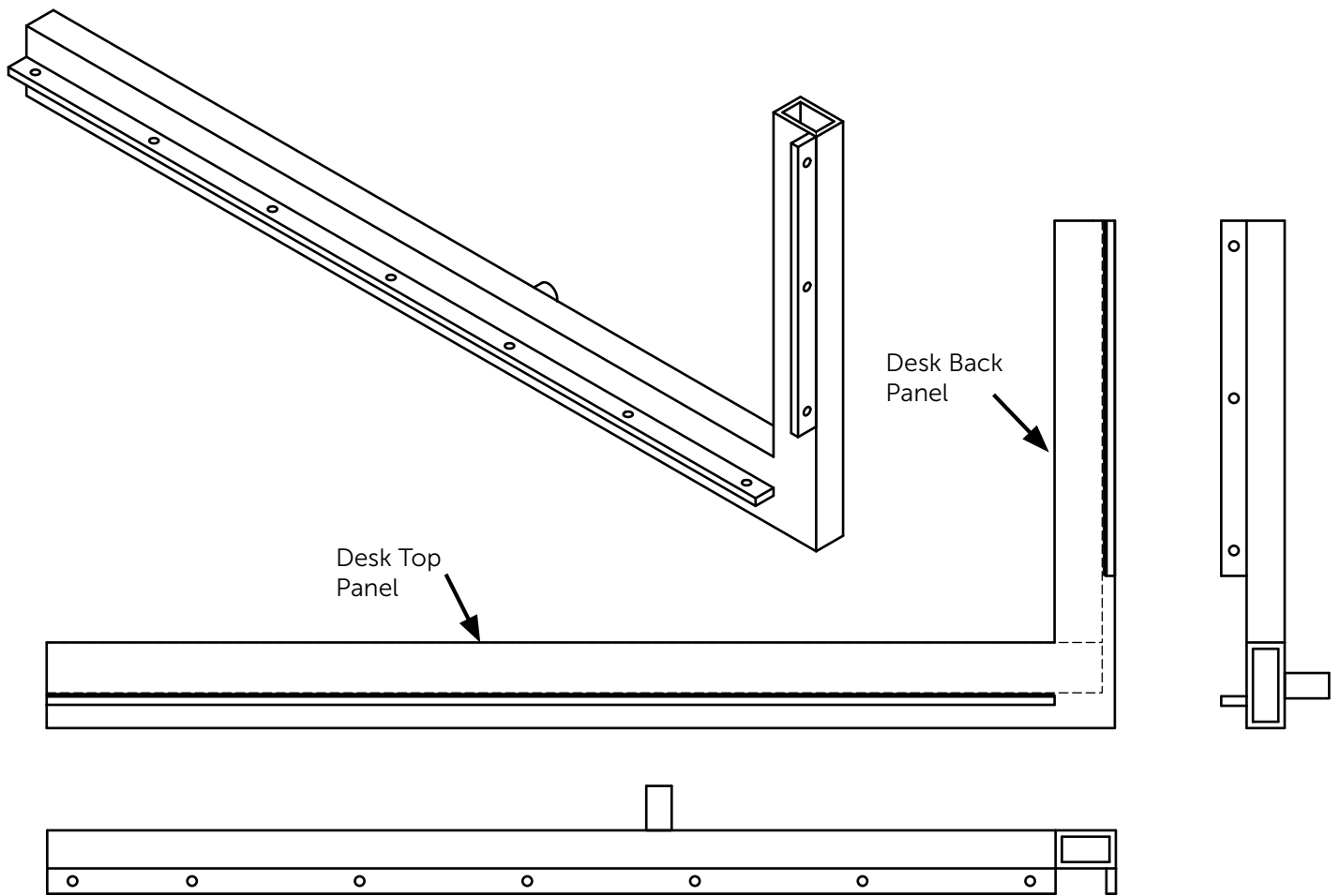
*The Desk Top brace is fitted to the underside of the Desk Top*

- Measure 150mm from the front edge of the Desk Top. This measurement will put the Desk Top brace approximately in the middle of the Desk Top underside.
- Place the Desk Top Brace between the fixing brackets that were used to secure the Desk Top to the bracket.
- Fix the Desk Top Brace to the underside of the Desk Top using the 28mm wood screws supplied. *See the caution note below*

## Caution

**Do not over tighten the 28mm wood screws into the Desk Brace Panel as it may result with the wood screw protruding through to the Desk Top.**

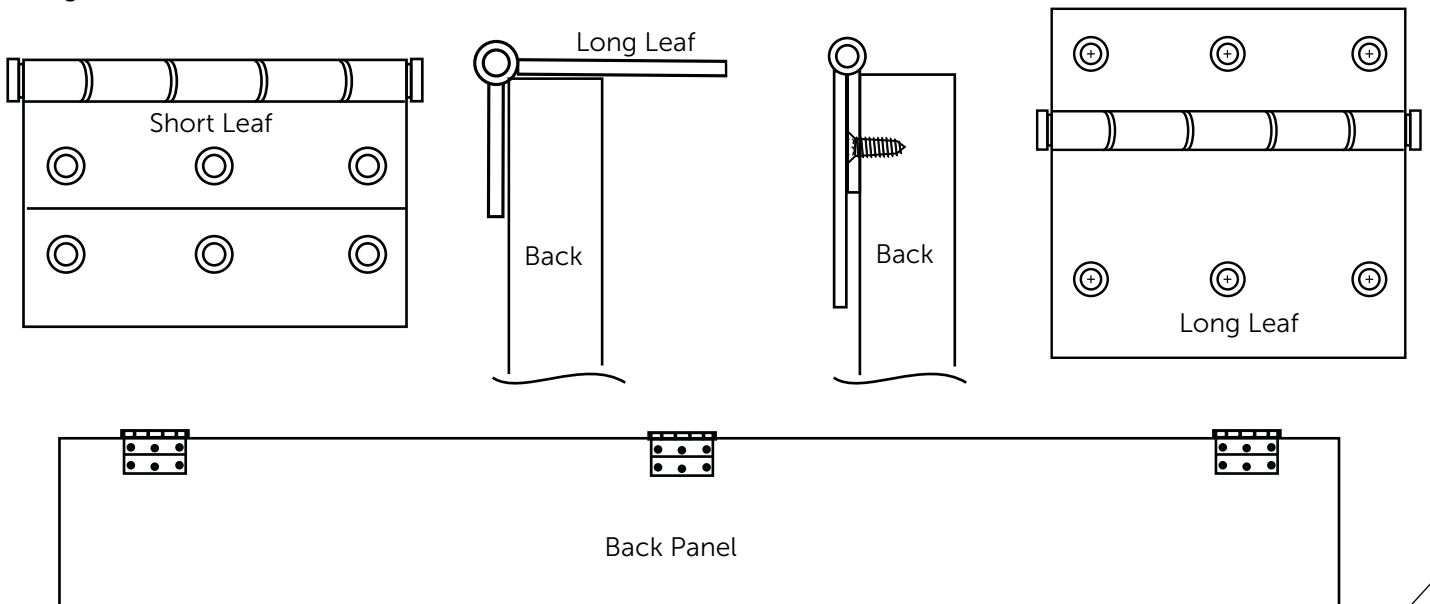
Drawing #1: Upper Desk Top and Back Panel Bracket



Drawing #2: Fold Hinges to Desk Back Panel

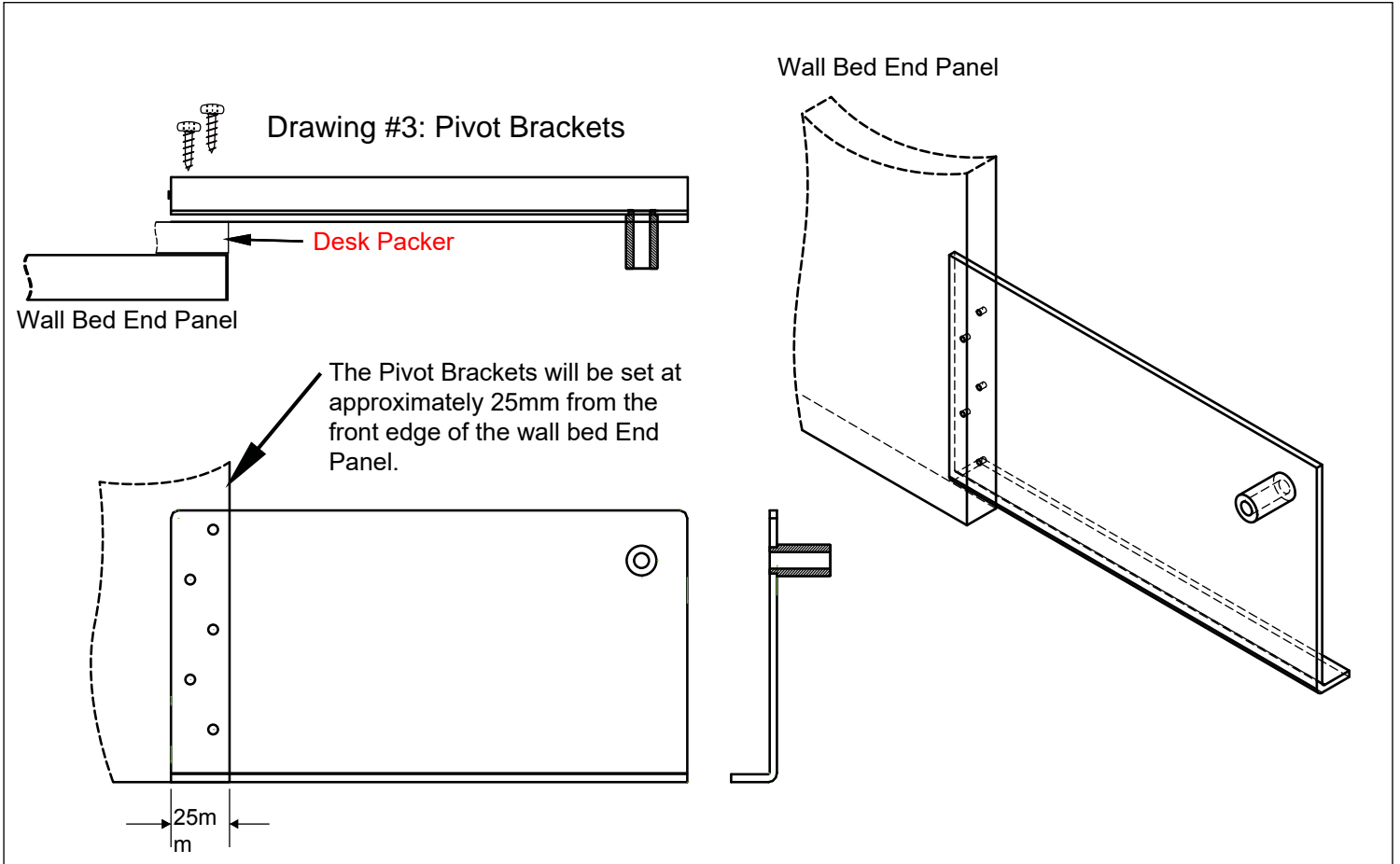
The short leaf attaches to the Back Panel.

The long leaf will attach to the Bed Face Panel.



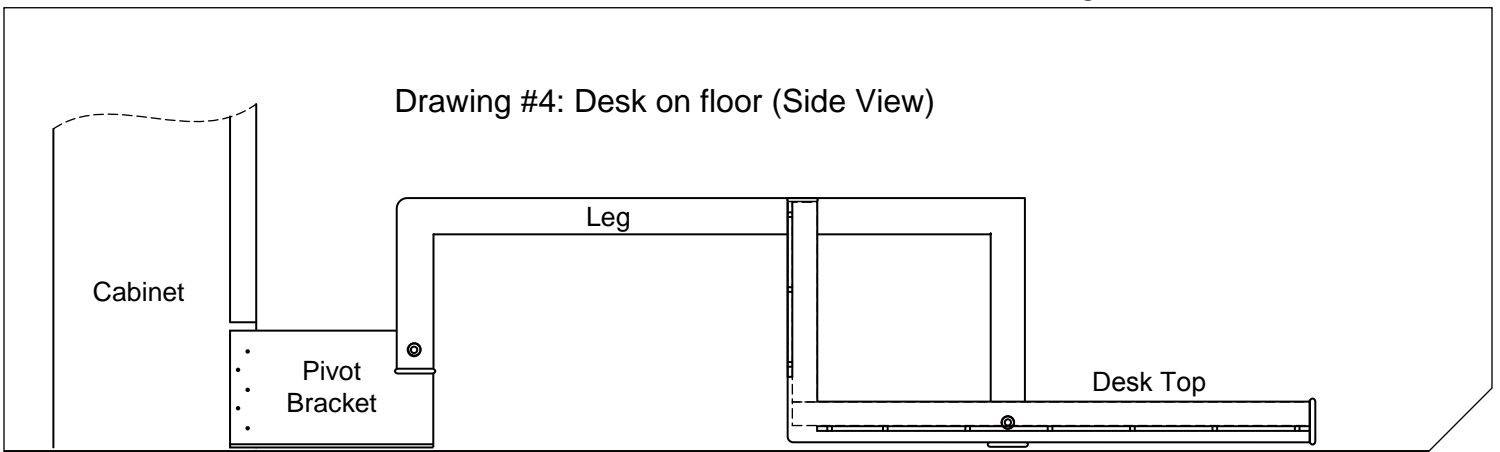
## STEP 2: Install Pivot Brackets

1. Attach the left and right Pivot Brackets to the Desk Packers. Ensure the curved bottom edge of the Pivot Bracket is facing the inside of the wall bed. See Drawing #3. The pivot point (standoff) must face outward to allow the Leg to line up with the vertical edge of the Panel.



## STEP 3: Attach Desk Top to Desk Legs

1. Place the previously assembled Desk on the floor where it will be located when it is in use.
2. Hand tighten the Bolts to join the Desk Top to the Legs. DO NOT over tighten as the Legs needs to be detached later to attach the Desk to the Bed Face. (Drawing #4).



## STEP 4: Attaching the Desk to Wallbed Face Panel

*This step may require two people to complete*

- Raise the Desk and hold it in the UP position (where it will be when mounted to the Bed Face).
- Hold the Desk against the Bed Face, making sure that the Desk is level both front to back and center on the Face Panel.
- Use a pencil to lightly mark along the top edge of the Back Panel including three hinge locations onto the Bed Face panel. Additionally, mark the outside edge of the Desk Top frame while it's centered. This will allow you to easily re-centre the desk before fixing it onto the Bed Face Panel.
- Lower the Desk to the floor and detach the Desk Top from the Leg Brackets.
- At the hinge locations measure **38mm** down from the pencil mark of the Desk Back. Check the measurement line between all three clip locations to ensure that the Desk will be level. Secure all three Hinge Clips. See Drawing #5.
- Bring the Studio Desk back up to the Bed Face and **FLIP THE DESK UP** and place the long hinge leaf into the Hinge Clips. Flipping the desk allows access the screw holes on the long hinge leaf. Screw the long leaves of the Hinges to the Bed Face. *See image 5 page 8.*
- Lower Desk Top gently and re-attach the Legs to the Desk Top and tighten the bolts.
- *It is not necessary to remove Hinge Clips as they are out of sight after the installation.*

Drawing #5: Hinge Clips

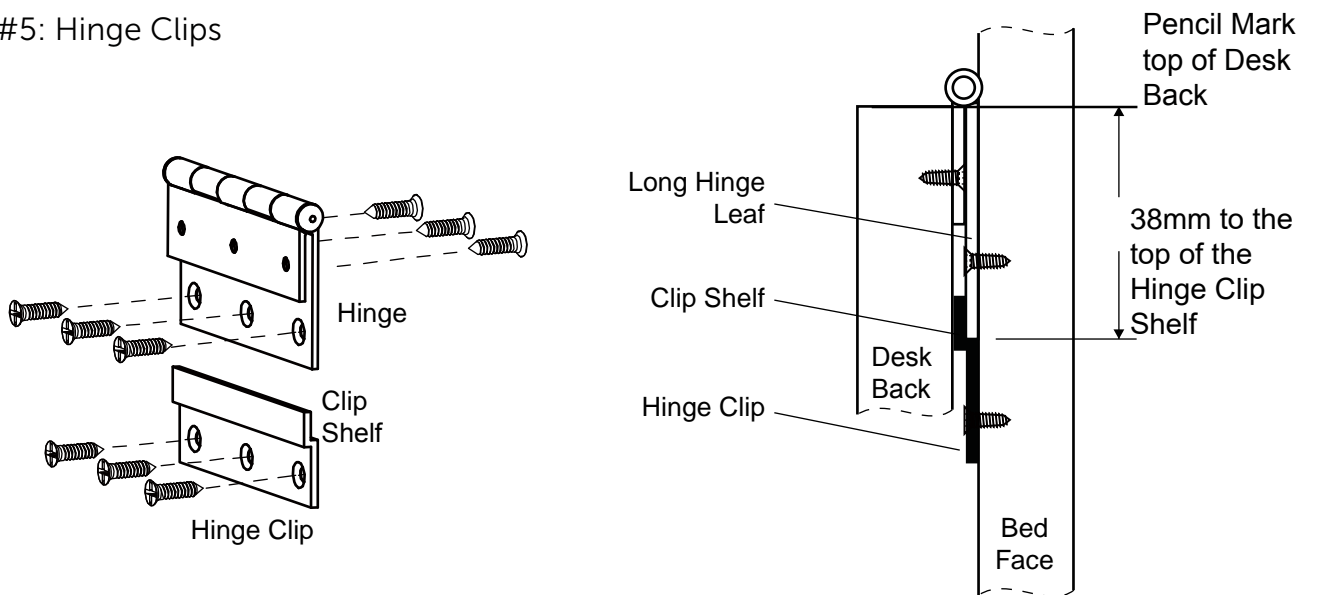






Image 5

### **STEP 5: Test**

1. Open WallBed to operate the Desk slowly.
2. Double check the levels.
3. Make sure that all End Caps are installed.